



CARMAR ACCURACY CO., LTD

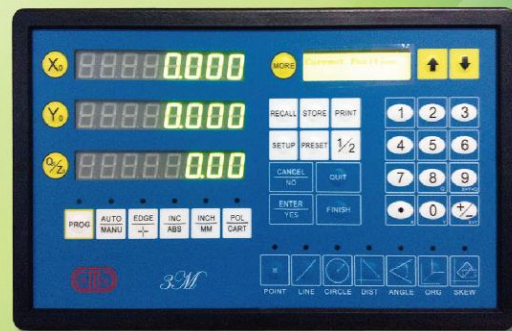
Made in Taiwan



▶▶▶ Linear Scale



▶▶▶ Digital Readout



We are Manufacturer of Linear Scale, Digital Readout, Profile Projector, Video Measuring Machine, CMM, and more

CARMAR ACCURACY CO., LTD (As you can see it, we can measure it!!!)

Tel: 886-4-23592289, #14

Fax: 886-4-23598060

Address: No. 6, 23rd Road, Industrial Park, Taichung City 408, Taiwan

E-mail: royal@carmar-tech.com

Web site: www.carmar-tech.com

Linear Scale

LE series specifications

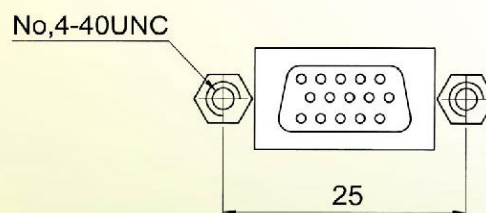
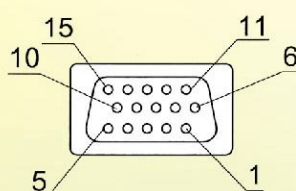
Grating pitch	20 μ m
Resolution	0.005 mm \cdot 0.001 mm \cdot 0.0005 mm (option)
Measuring length (ML)	50 mm \sim 3,000mm
Output signal	TTL square wave (std.) ; RS422 (option)
Accuracy	$\pm (5 + L/200) \mu$ m ; L: measuring length (mm)
Max. Response Speed	60 m/min (1 μ m resolution)
Signal Cable	3.5 m for ML < 1,200mm 5 m for 1,200 \leq ML
Working temperature	0 $^{\circ}$ C \sim +40 $^{\circ}$ C
Storage temperature	-20 $^{\circ}$ C \sim +50 $^{\circ}$ C

Model

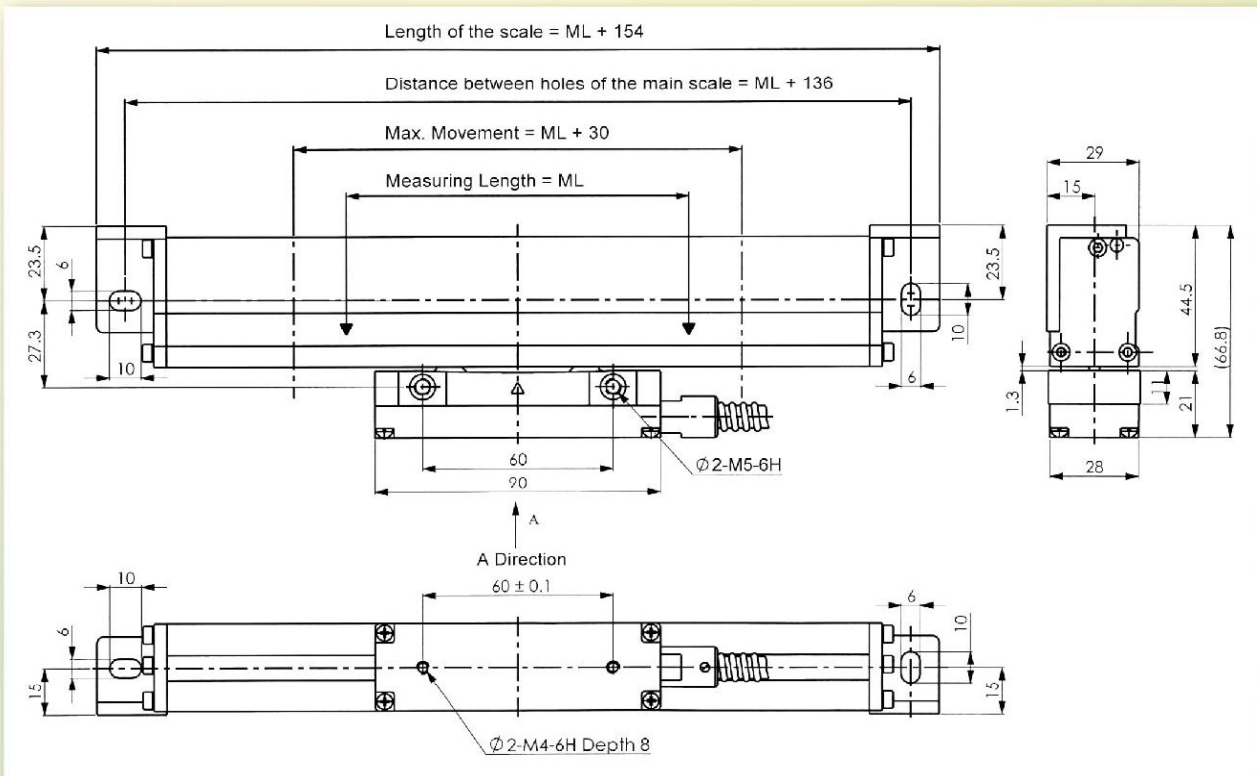
Resolution\ML	50mm	100mm	150mm	200mm	250mm	300mm	350mm
0.005mm	LE50-0050	LE50-0100	LE50-0150	LE50-0200	LE50-0250	LE50-0300	LE50-0350
0.001mm	LE10-0050	LE10-0100	LE10-0150	LE10-0200	LE10-0250	LE10-0300	LE10-0350
Resolution\ML	400mm	450mm	500mm	600mm	700mm	800mm	900mm
0.005mm	LE50-0400	LE50-0450	LE50-0500	LE50-0600	LE50-0700	LE50-0800	LE50-0900
0.001mm	LE10-0400	LE10-0450	LE10-0500	LE10-0600	LE10-0700	LE10-0800	LE10-0900
Resolution\ML	1000mm	1100mm	1200mm	1300mm	1400mm	1500mm	1600mm
0.005mm	LE50-1000	LE50-1100	LE50-1200	LE50-1300	LE50-1400	LE50-1500	LE50-1600
0.001mm	LE10-1000	LE10-1100	LE10-1200	LE10-1300	LE10-1400	LE10-1500	LE10-1600
Resolution\ML	1800mm	2000mm	2200mm	2600mm	2800mm	3000mm	
0.005mm	LE50-1800	LE50-2000	LE50-2200	LE50-2600	LE50-2800	LE50-3000	
0.001mm	LE10-1800	LE10-2000	LE10-2200	LE10-2600	LE10-2800	LE10-3000	

Connector

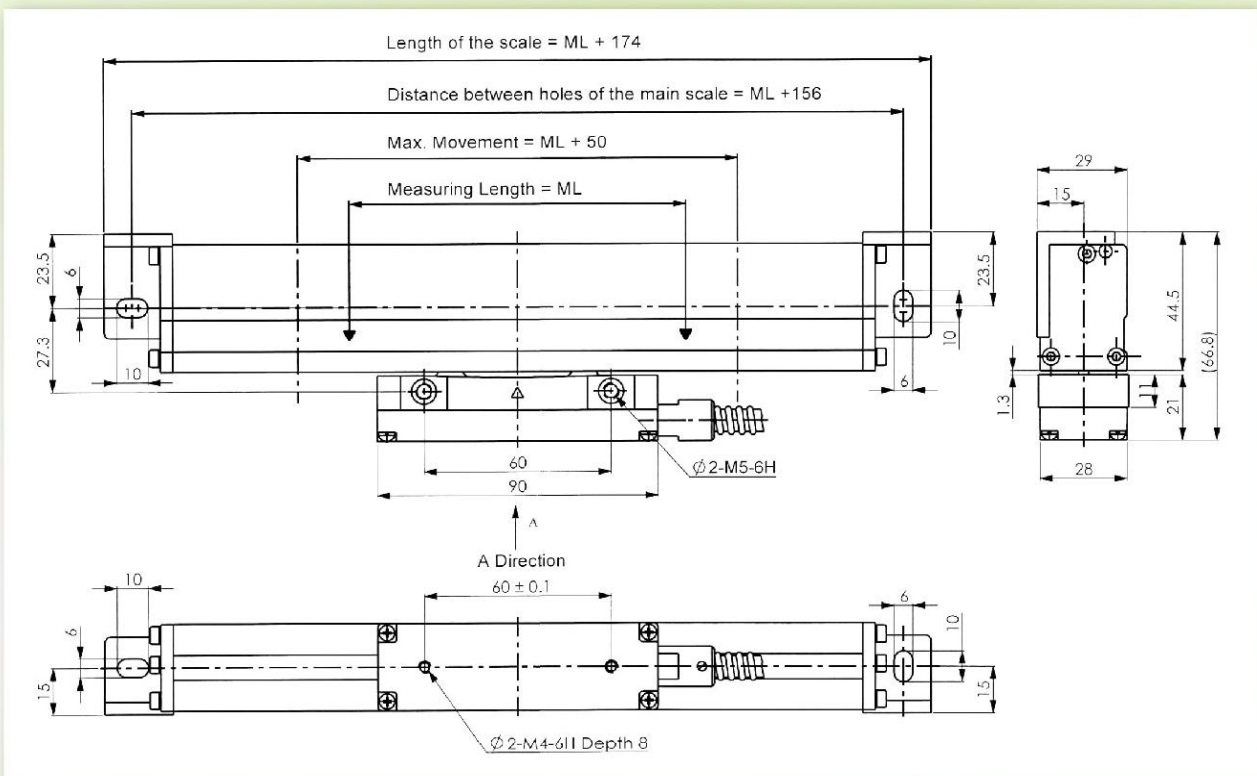
15 PD Connector	
PIN No.	Signal
1	+ 5V
2	0 V
3	A
4	B
5	RI



■ Installation for measuring length $ML \leq 900\text{mm}$



■ Installation for measuring length $ML > 900\text{mm}$



Linear Scale

■ LS series specifications

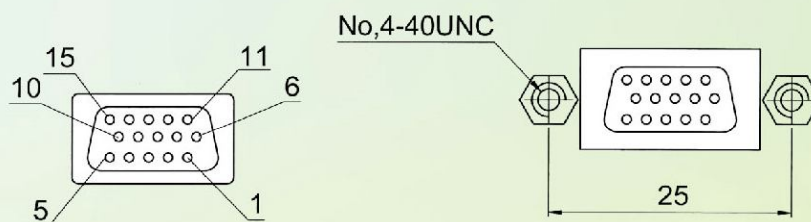
Grating pitch	20 μ m
Resolution	0.005 mm \cdot 0.001 mm \cdot 0.0005 mm (option)
Measuring length (ML)	50 mm ~ 1,000mm
Output signal	5V, TTL square wave (Standard) ; RS422 (option)
Accuracy	$\pm (5 + L/200) \mu$ m ; L: measuring length (mm)
Max. Response Speed	50 m/min (1 μ m resolution)
Signal Cable	3.5 m
Working temperature	0°C~+40°C
Storage temperature	-20°C~ +50°C

■ Model

Resolution\ML	50mm	100mm	150mm	200mm	250mm	300mm	350mm
0.005mm	LS50-0050	LS50-0100	LS50-0150	LS50-0200	LS50-0250	LS50-0300	LS50-0350
0.001mm	LS10-0050	LS10-0100	LS10-0150	LS10-0200	LS10-0250	LS10-0300	LS10-0350
Resolution\ML	400mm	450mm	500mm	600mm	700mm	800mm	900mm
0.005mm	LS50-0400	LS50-0450	LS50-0500	LS50-0600	LS50-0700	LS50-0800	LS50-0900
0.001mm	LS10-0400	LS10-0450	LS10-0500	LS10-0600	LS10-0700	LS10-0800	LS10-0900
Resolution\ML	1,000mm						
0.005mm	LS50-1000						
0.001mm	LS10-1000						

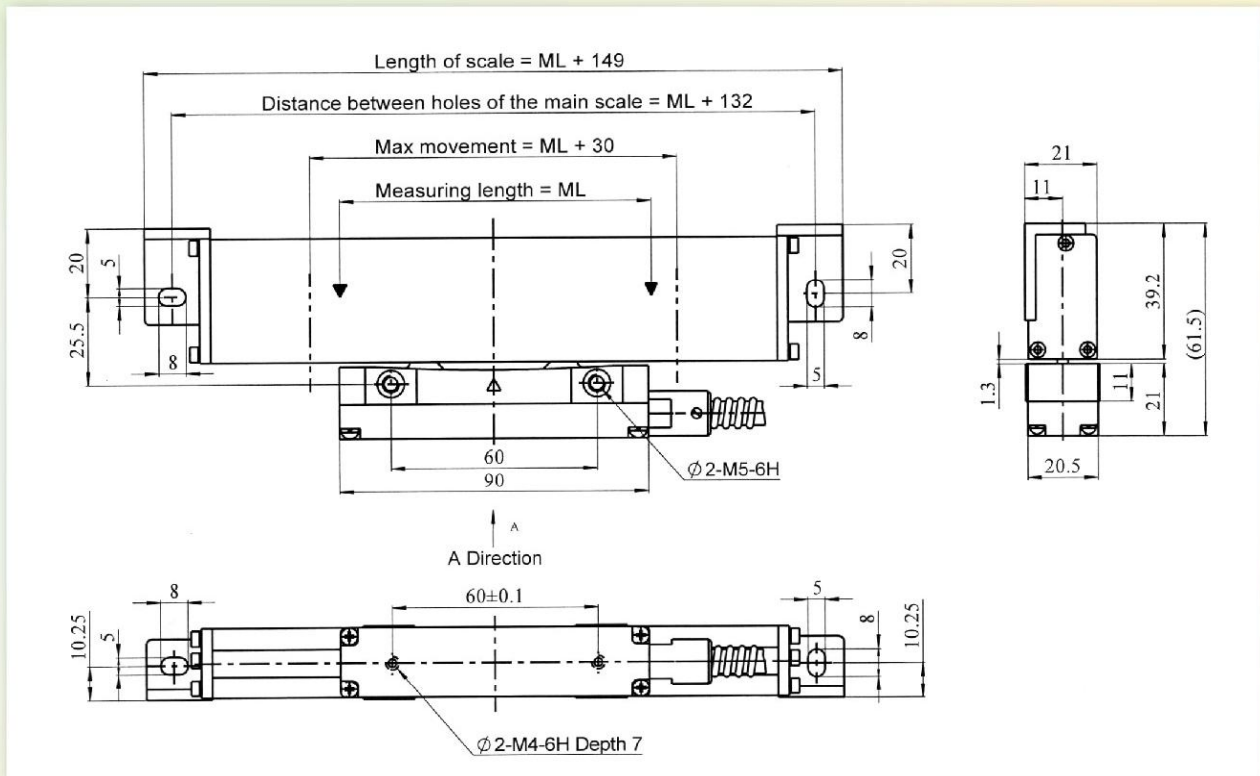
■ Connector

15 PD Connector	
PIN No.	Signal
1	+ 5V
2	0 V
3	A
4	B
5	RI



Linear Scale

■ Installation for measuring length $ML \leq 900\text{mm}$



■ Installation for measuring length $ML > 900\text{mm}$

